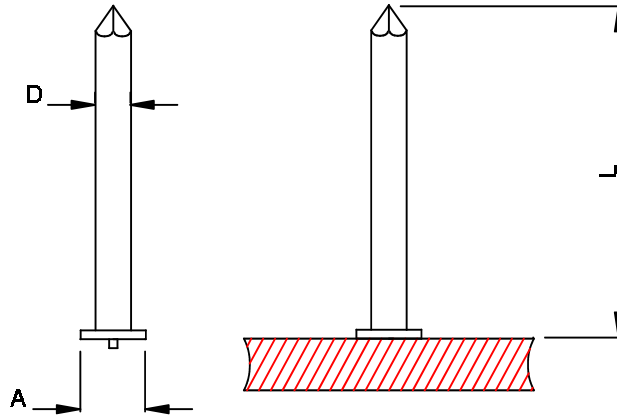


CFN Capacitors discharge Flanged Nail



- Nail Material :**
- Coppered Mild Steel St 37.3
 - Stainless Steel 1.4301
 - Aluminium



Part number	D	L	A
208.0300.015.1	3	15	6,5
208.0300.020.1		20	
208.0300.025.1		25	
.		.	
.		.	
208.0300.220.1		220	
208.0300.225.1		225	
208.0300.230.1	230		
.	.	.	
.	.	.	

- For stainless steel, replace the last digit "1" by digit "4" in part number.
The part number becomes xxx.xxxx.xxx.xx.4 instead of xxx.xxxx.xxx.xx.1
- For Aluminium, replace the last digit "1" by digit "7" in part number.
The part number becomes xxx.xxxx.xxx.xx.7 instead of xxx.xxxx.xxx.xx.1

Range (in mm)

D	L
Ø 2,1	15 - 50
Ø 2,6	15 - 60
Ø 3	12 - 500
Ø 4	15 - 500
Ø 5	15 - 500

Standard diameter : Ø 3 mm pins

Dimensions in mm. We can supply other lengths or dimensions upon request

Basic engineering specifications, which cover all of the studs listed in this publication regardless of size or shape, are detailed below.

1. Stud material

- **Non-alloyed steel**

All THOMAS low carbon steel studs are mild steel (weldable) St 37.3 made to our specifications. This type of steel offers excellent welding quality.

The raw material specifications mentioned conform with EN 13918 and EN 14555.

Upon request, for all stud material, certificates of chemical analysis and mechanical properties can be supplied. This conforms to EN 10204.

- **Stainless steel 1.4301**

THOMAS studs are manufactured from material type 1.4301.

The raw material specifications mentioned conform with EN 13918 and EN 14555.

Upon request, for all stud material, certificates of chemical analysis and mechanical properties can be supplied. This conforms to EN 10204.

2. Stud dimensions

Stud dimensions as given in the dimensional sheet meet the EN 13918 specifications. The length dimension *l* is the overall length of the stud AFTER WELD. i.e. THOMAS studs are always longer than the nominal length ordered. The delivered studs are longer depending on the diameter of the stud and the welding process.

3. Plating Available

Unless otherwise specified in the order, all THOMAS mild steel pins will be supplied with copper coating. Upon request, the following types of surface protection (ie Zinc plating) can be supplied:

4. Ordering information

The following specifications are required when ordering :

- a) Type of pin
- b) Pin Diameter "d"
- c) Pin length "l"
- d) Material
- e) Surface protection

Ordering example: CFN Ø 3 x 250 mm in coppered steel.