

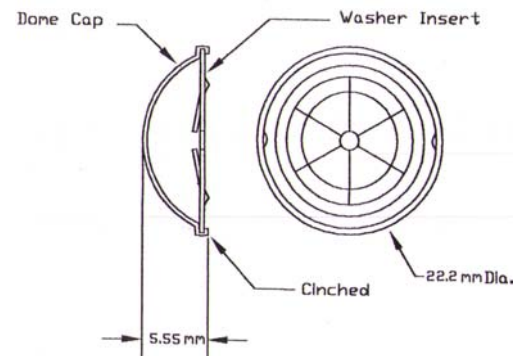
## Dome Cap

### Get A Good Grip On Your Attachment Problems

- Dome caps are designed to be used where appearance and safety are major concerns.
- Whether insulating ship hulls and bulkheads, commercial and residential walls and ceilings, heating and cooling ductwork, or equipment – ship builders, construction companies, HVAC manufacturers and installers, and other industries all depend on THOMAS Welding Systems insulation fasteners for a secure and reliable performance.
- Known for delivering the highest quality at a low price, THOMAS Welding Systems insulation fasteners and dome fasteners are an attractive, dependable, economical solution for the rapid installation of thermal insulation, soundproofing materials, boards, sheets, wraps, blankets, batting, and more.



- THOMAS Welding Systems dome caps are available in a wide variety of material types, including combinations of aluminum and stainless steel, all stainless steel, and customization. Colors to choose include red, white, blue, black or custom blends. We offer sizes that range up to Ø 6 mm or you can modify them to meet your particular specifications



With this broad array of choices, all customer requirements can be satisfied, and often surpassed by THOMAS Welding Systems, including the tightest delivery deadlines in the field.

### Technical Specifications

<b>Insulation pins Ø</b>	: Ø 3 mm (standard), other sizes on request.
<b>Dome material</b>	: Plain Aluminum (standard) On request, Dome caps are available in - Stainless steel - Painted aluminum. Colors to choose include red, white, blue, black.
<b>Washer Insert</b>	: All caps have 300 series Stainless Steel speed washer securely inserted into the dome.
<b>Applications</b>	: For best results, pins should be 6 mm longer than the insulation thickness.

*Technical data may change without prior notice*