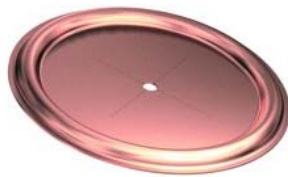


CLIPS

Self-locking washer

- Clips Material :
- Zinged Steel.
 - Stainless Steel
 - Other on request

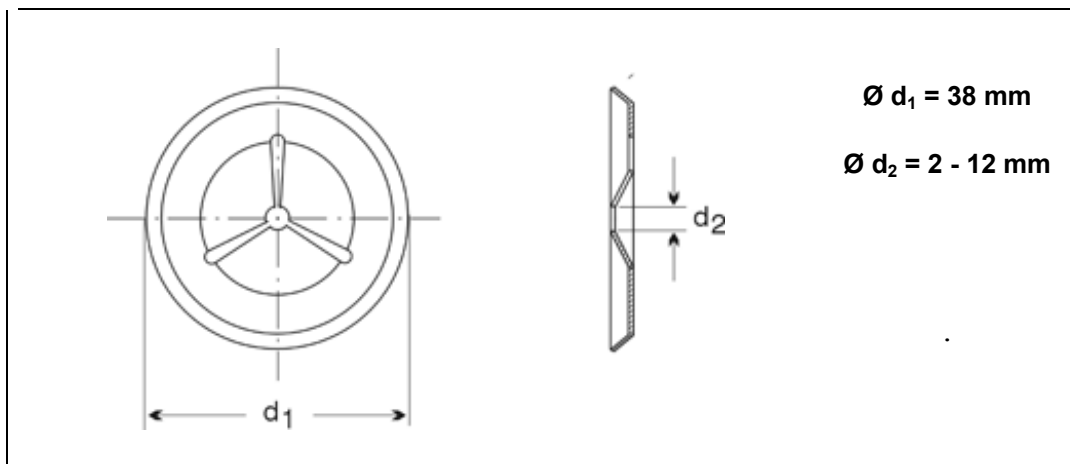


Clips range
Clips material

Ø 2 - Ø 12
Coppered steel

Ø 2 - Ø 12
Zinged steel

Ø 2 - Ø 12
Stainless steel



Standard d₂ diameter : for Ø 3 mm pins

Dimensions in mm.

We can supply other lengths or dimensions upon request

THOMAS
Welding systems

ZI , 3eme RUE
TEL : + 32 71.91.97.60

B. 6040 JUMET
FAX : + 32 71.91.96.71

Web : www.thomas-welding.com
E-Mail : info@thomas-welding.com

Basic engineering specifications, which cover all of the studs listed in this publication regardless of size or shape, are detailed below.

1. Stud material

- **Non-alloyed steel**

All THOMAS low carbon steel studs are mild steel (weldable) St 37.3 made to our specifications. This type of steel offers excellent welding quality.

The raw material specifications mentioned conform with EN 13918 and EN 14555.

Upon request, for all stud material, certificates of chemical analysis and mechanical properties can be supplied. This conforms to EN 10204.

- **Stainless steel 1.4301**

THOMAS studs are manufactured from material type 1.4301.

The raw material specifications mentioned conform with EN 13918 and EN 14555.

Upon request, for all stud material, certificates of chemical analysis and mechanical properties can be supplied. This conforms to EN 10204.

2. Stud dimensions

Stud dimensions as given in the dimensional sheet meet the EN 13918 specifications. The length dimension *l* is the overall length of the stud AFTER WELD. i.e. THOMAS studs are always longer than the nominal length ordered. The delivered studs are longer depending on the diameter of the stud and the welding process.

3. Plating Available

Unless otherwise specified in the order, all THOMAS mild steel pins will be supplied with copper coating. Upon request, the following types of surface protection (ie Zinc plating) can be supplied:

4. Ordering information

The following specifications are required when ordering :

- a) Type of clips
- b) Pin Diameter "d"
- c) Clips Material
- d) Pin Surface protection

Ordering example: Clips Ø 3 x 38 mm in zinged steel.