



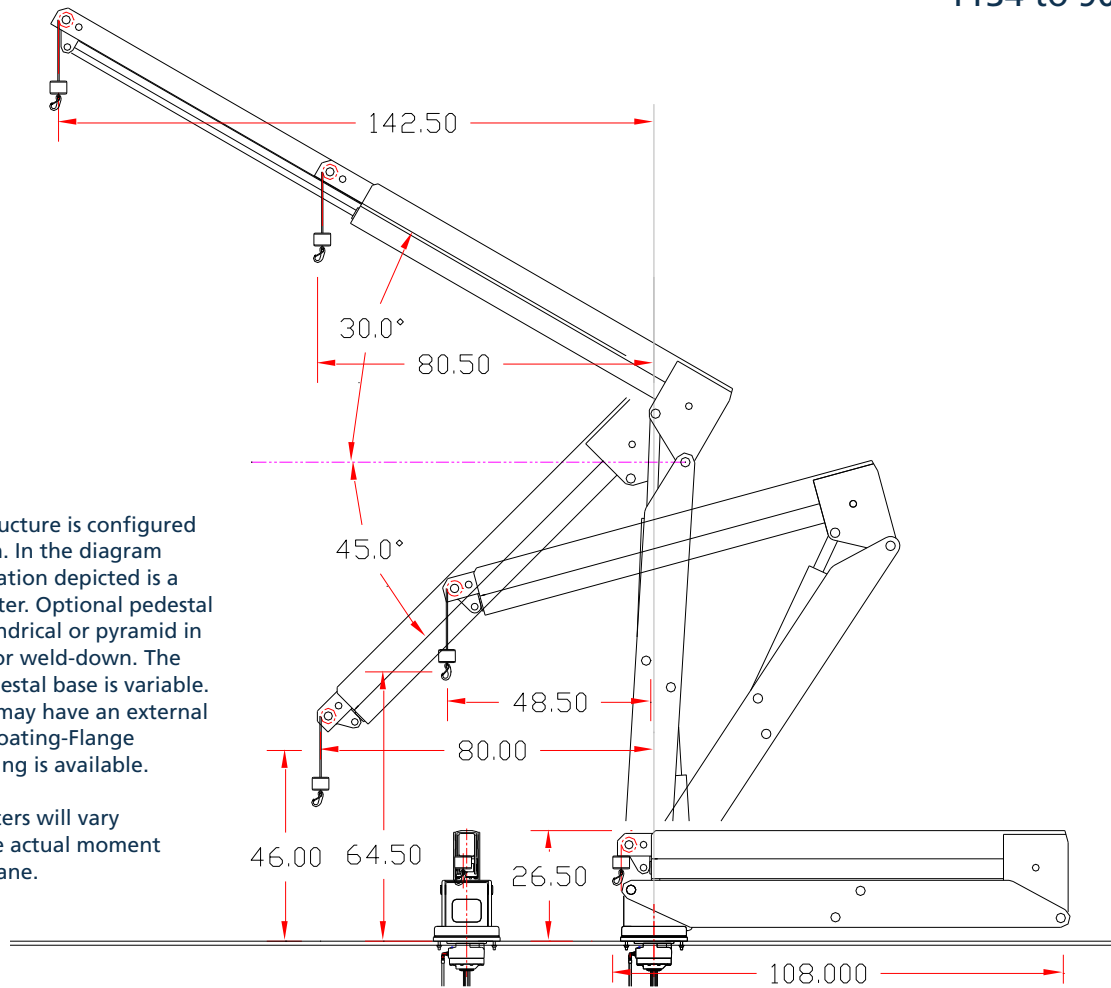
Folding-Crane Integrated Deck Crane

The folding crane system represents the innovation and thoughtful design that Nautical Structures brings to the challenge of creative tender-handling solutions. Developed for use on board a luxury sailing yacht, the folding davit's initial requirement was to live in an enclosed space under a deck hatch. Potentially a very wet, humid and corrosive environment for any machinery. The Folding Crane is constructed from aluminum alloy, utilizing composite bushings to eliminate the reaction of dissimilar metals. Our current designs begin at working load capacities of 800lb / 362kg to 20,000lb/9070kg. Any of these cranes may be special-ordered built to MCA Mega Yacht Code / Classification Society compliance. This specification sheet describes our smaller cranes with lifting capacities of up to fifteen hundred pounds. The Folding Crane's telescoping aluminum boom is capable of being loaded to its full safe working load capacity in any position without restriction. The intelligent engineering inherent in this design allows distributed load-deflection across the boom during moments of dynamic loading, reducing the amount of shock-loading transmitted to the deck. Virtually silent-operating, our Hydraulic Linear Winch system, a totally non-fouling winch design reflects the innovative and dependably safe operating characteristics built into the extending boom. This feature adds the additional element of operational safety as the winch travels with the boom extension during operation of the crane. This prevents any possibility of two-blocking the system causing damage to the cable. The crane features 270° hydraulic power rotation. The crane is remotely operated with a wireless joy-stick operated proportional control provided with an optional-use removable pendant. A bearing platter is the typical mounting structure for the Folding Crane, although a pedestal base or a standpipe mount may also be used in some applications. The Folding davit is powered by a hydraulic power unit, available in various horsepower configurations depending on the performance characteristics desired. The Folding Crane is finished to our highest standards. Our standard colors are Matterhorn white, Off white and Snow white. All other colors will be special order and quoted upon request. Depending on the anticipated mounting location, this davit system may be anodized, or finished in a high-quality urethane paint finish. The crane system is assembled and installed onto one of our three dynamic load-testing centers where our quality assurance team dynamic load tests and inspects every crane we produce prior to delivery to the customer. Warranty is 1 year including materials and workmanship, electrical, hydraulic and labor. See warranty for details.



Folding Hydraulic Telescopic Integrated Crane

2,500 to 20,000lb
1134 to 9070kg



The mounting structure is configured to the application. In the diagram shown the foundation depicted is a weld-in deck platter. Optional pedestal bases may be cylindrical or pyramid in style, bolt-down or weld-down. The height of the pedestal base is variable. Bolt-down bases may have an external bolting flange. Floating-Flange standpipe mounting is available.

Standpipe diameters will vary depending on the actual moment capacity of the crane.

Mechanical Specifications	Electric – hydraulic specifications
Hydraulic Boom Luffing: -45° to +30° full load capacity.	115/230V AC/60/50/1.
Boom articulates 0° to + 89°	Wireless proportional control.
Aft rotation clearance: 10in / 25cm 270° hydraulic power rotation. 180° and 359° is available.	Motor Supply: 208-230/460V, 39-36/18A, 60/50Hz, 3-Ph 3.5 Hp HPU, 3000 psi / 203 bar, 1.5 gpm / 5 lpm output. 5.0 Hp HPU, 3000 psi / 203 bar, 2.5 gpm / 9 lpm output. 7.5 Hp HPU, 3000 psi / 203 bar, 3.5 gpm / 13 lpm output. Fluid type: AW-68, ISO quality 17/15/12
Hydraulic Linear Winch system. Rigged 6:1 with stainless steel wire rope, stainless steel weight and stainless steel safety snap hook.	Rated Capacity
Cable pay-out: 26ft / 7.92m	
Crane weight, FC-880: Avg. 810lb / 368kg Crane weight, FC-1200: Avg. 840lb / 382kg Crane weight, FC-1500: Avg. 1050lb / 477kg Mounting Platter weight: Avg. 65lb / 30kg	FC-800: 800lb / 363kg Up to 12,000 ft/lb FC-1200: 1,200lb / 544kg Up to 16,500 ft/lb FC-1500: 1,500lb / 680kg Up to 18,000 ft/lb FC-4400: 4,400lb / 1996kg Up to 80,000 ft/lb
Standpipe Weight (average): 650lb / 295kg Weight, pedestal base (average): 340lb / 155kg	Other load capacities / moment load capacities are available as a special order project.
12 Month limited warranty. © 2014 - NSI	