

Active Fin Stabilizers

Models 162, 174, 252, 254, 302, **320, 360, 420, 525**

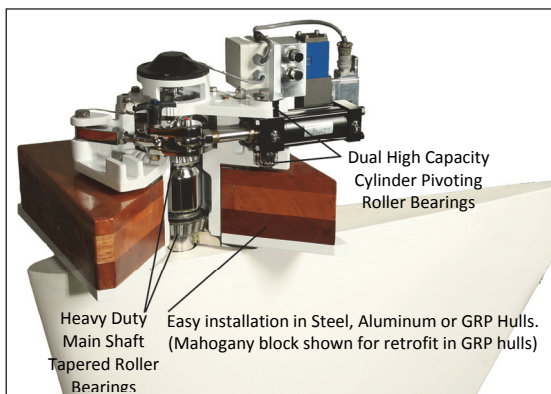
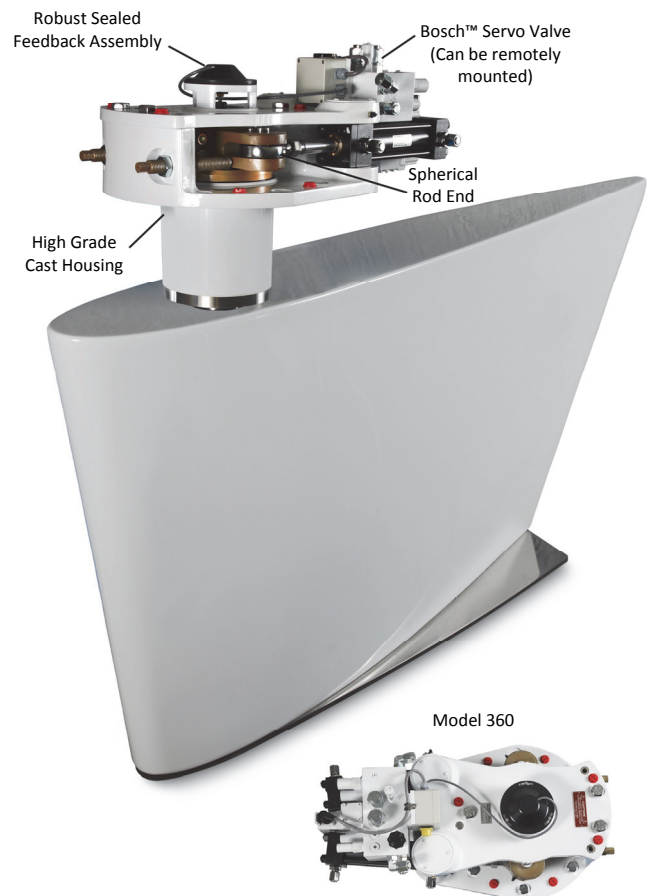
575, 621, 720, 820, 925, 1050, 1200 & 1400

The industry standard for superior performance, quality, reliability, long-term support and overall value. NAIAD® Stabilizers are the equipment of choice installed in thousands of vessels in demanding commercial and military ship applications as well as luxury yachts of all sizes.

With more systems in service than any other brand, Naiad Dynamics product designs are a refined evolution earned from real-life experience, analysis, and constant development. Install Naiad, Instill Confidence™

Fin Actuator Assembly Features

- ✓ Highest quality materials and workmanship. Major components machined in-house to US military standards in our ISO 9001:2008 certified facility alongside aerospace machined parts.
- ✓ Industry first heavy-duty tapered roller bearing construction, fully pre-assembled and sealed at the Naiad factory for easy installation. Compare to inexpensive and wear-prone plain bearings/bushings.
- ✓ Greased for life, no annual main bearing maintenance required.
- ✓ Double lower shaft seals incased in an easily accessible precision-machined stainless steel housing.
- ✓ Proven hydrodynamically-efficient foil section designs. Stainless steel Tip Fence (shown), proportionately sized and validated for performance.
- ✓ Advanced composite fin construction is galvanically inert and features an encapsulated stainless steel insert with precision machined self-locking keyless taper. Steel fins optional.



- ✓ Keyless taper allows freedom to install the NAIAD Assembly in any 360° orientation to simplify installation and maximize accessibility, plus allows the fins to be aligned and realigned in any desired position to suit hull flow lines.
- ✓ Robust fin construction is damage resistant, but designed to yield safely to severe impacts.
- ✓ First choice among discriminating yacht owners and ship builders throughout the world.

Digital Control System

- ✓ Advanced & proven fully proportional automatic Angle-Velocity-Acceleration (AVA™) closed loop control system for maximum roll reduction performance in any seaway with minimum drag.
- ✓ Resonant roll reduction typically 90%. Static heel correction. Sensitivity adjustment. Automatic fin limiting and centering. DATUM™ Adaptive Technology self-tunes to optimize performance.
- ✓ Enhanced course-keeping, reduced rudder drag typically improves overall destination time and fuel efficiency.
- ✓ DATUM™ is the world's first purely digital fin stabilizer control system operating on a CANbus distributed network.
- ✓ Shock tested and naval ship approved.



DATUM™ graphical display panel options, each with intuitive multi-page display screens.

Application Guidelines (this Series)

<i>Naiad Model</i>	<i>OAL Feet (Meters)</i>	<i>Displacement Max. (Approx)</i>	<i>Fin Sizes Sq. Feet (Sq. M.)</i>
320	80 - 100 (24 - 31)	140 S. Tons (130 M Tons)	4.5 - 12 (0.42 - 1.12)
360	90 - 120 (27 - 37)	200 S. Tons (185 M Tons)	7.5 - 19 (0.70 - 1.76)
420	110 - 140 (33 - 43)	400 S. Tons (365 M Tons)	9 - 22 (0.84 - 2.04)
525	130 - 160 (39 - 49)	600 S. Tons (545 M Tons)	12 - 38 (1.12 - 3.53)

Hydraulic Systems

Complete hydraulic systems standard or tailored for specific applications. From relatively simple pressure compensated pump systems to advanced PLC controlled systems that efficiently integrate all shipboard hydraulic equipment. Our specialist hydraulic engineers specify all necessary components, source and oversee in-house testing, and supply fully detailed drawings. Naiad's standard range of quiet Powerpacks are also available to power hydraulic systems.



Outstanding Service and Support

Naiad Dynamics stands behind every system sold with its superb limited Warranty. NAIAD® products are supported worldwide by our six sales and service centers and mobile fleet, and by our comprehensive Authorized Dealer Network with locations in key yachting regions for fastest response and guaranteed satisfaction. Spare parts are usually in-stock and ship within 24 hours, and our state-of-the-art in-house manufacturing facility ensures quick turnaround on parts throughout the life of the system.

NAIAD DYNAMICS US, INC.

Connecticut, USA
T: +1 203 929 6355
F: +1 203 929 3594

Maryland, USA
T: +1 301 690 2010
F: +1 301 690 2187

Florida, USA
T: +1 954 797 7566
F: +1 954 791 0827

Washington, USA
T: +1 206 780 2281
F: +1 206 855 9392

NAIAD DYNAMICS UK, LTD

Portsmouth, England
T: +44 (0) 2392 53 9750
F: +44 (0) 2392 53 9764

NAIAD DYNAMICS HOLLAND, BV

Maastricht, Netherlands
T: +31 (0) 43 604 9200
F: +31 (0) 43 363 6200



www.naiad.com
sales@naiad.com

NAIAD DYNAMICS: The Science of Stabilization®