

### Model Q-4 Yacht Horn

Kahlenberg Chimetone Air Horns all utilize more than one projector or “trumpet” in their design. These projectors each produce a different fundamental frequency which combine to produce powerful, distinctive, musical chords. To hear a Chimetone Air Horn is to realize that the sound of a vessel can be one of its most impressive aspects. The Model Q-4A Air Horn is the largest Kahlenberg Yacht Horn produced for vessels over 75 meters in length. It is made entirely of bronze and brass, and is available in triple chrome plate finish as well as a variety of other optional finishes.



#### TECHNICAL DATA

Fundamental Frequency: 106,134,171, 220 Hz

S.P.L. : (1/3 Octave @ 1 Meter): 141 dB

Air Consumption:

237 C.F.M. @ 150 p.s.i., 112 l/s @ 10 bar

Air Pressure Required:

100 to 250 p.s.i., 7 to 17 bar  
(Higher pressures with optional regulators)

Electrical Power Required:

Any standard A.C. or D.C. Voltage

Material: Cast Bronze and Naval Brass

Net Weight: 280 lbs., 127 kg.,

Finish:

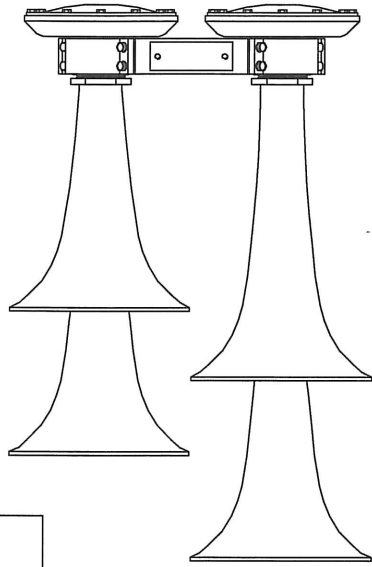
Kahlenberg Chrome Plate, TGIC Sky White Powdercoat, Gold or Black Chrome PVD, Chrome Nitride

Dimensions:

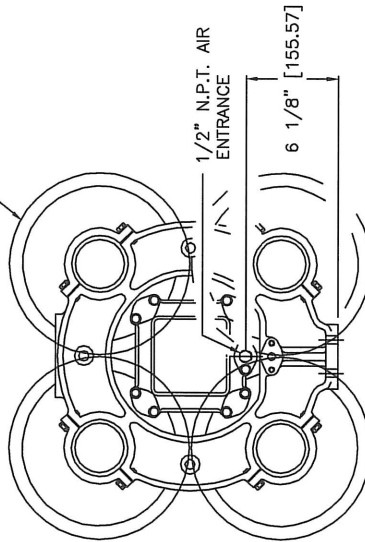
37" x 24" x 24" (940x613x613mm)

- **FOR VESSELS 75 TO 200 METERS IN LENGTH**
- **MEETS OR EXCEEDS IMO REQUIREMENTS**
- **THE BEST SOUND IN A WIDE VARIETY OF FINISHES**
- **HIGHLY RELIABLE**

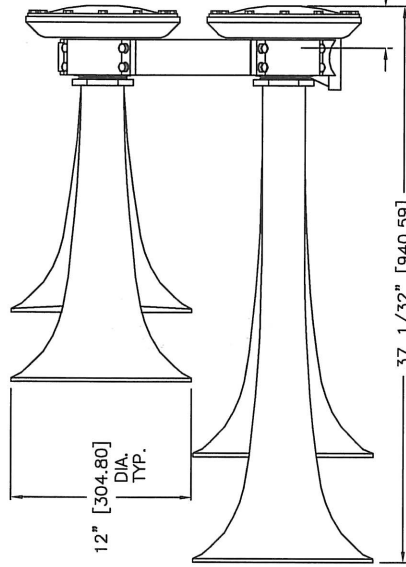
*Conforming to International Maritime Regulations  
For Vessels 75 to 200 Meters in Length.*



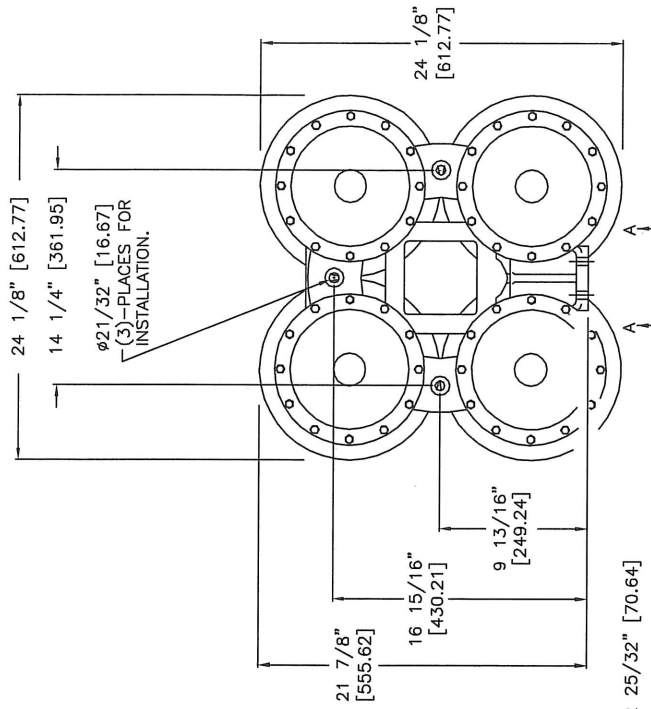
TOP VIEW



FRONT VIEW



SIDE VIEW



REAR VIEW

PROJECTORS IN THIS VIEW ARE DEPICTED WITH PHANTOM LINES.

Ø17/32" [13.49]  
(4)-PLACES ON A  
3 1/8" DIA. B.C.



VIEW "A"- "A"

**TECHNICAL DATA**

Frequency: 106, 134, 171, & 220 Hz  
Sound Pressure Level (dB(A) at 1 meter): 144dB  
Sound Pressure Level (1/3 octave at 1 meter): 138dB  
Air Consumption: appx. 237.6 C.F.M. @ 150 P.S.I.  
Air Pressure Req: 100 To 250 P.S.I.  
Electric Power: Any Standard A.C. or D.C. voltage  
Material: Cast Bronze & cast aluminum  
Finish: White powdercoat  
Net Weight: 280 lbs.  
Shipping Weight: 402 lbs.

Price: \$ \_\_\_\_\_ U.S.D. Net. Ea.  
(Valid for 60 days, F.O.B. Two Rivers, WI. U.S.A.)

**Kahlenberg's**

KAHLENBERG BROS. CO. TWO RIVERS, WI. U.S.A.

**OUTLINE DIMENSIONS  
MODEL Q-4, FIG. 414-C  
AIRHORN**

DATE

DRWG. NO.

REV.

05/11/01

3-5204

A EMK