

HALOGEN LAMP TYPE REMOTE CONTROLLED SEARCHLIGHT

Reflector dia.	φ110mm - 70cut	
Rated voltage	DC12V	DC24V
Rated current	10A	5A
Lamps	Halogen lamp 55W x 2 (G6.35) JCD12V-55WDX JCD24V-55WDX	
Max. luminous intensity	200,000cd	160,000cd
Beam spread	Right & Left	Approx. 7°
	Up & Down	Approx. 5°
Range (1lx)	Approx.440m	Approx.400m
Focus adjustment	Fixing	
Elevation & Turning	Electric remote control	
Elevation angle	Up 9° Down 17°	
Turning angle	360°(endless)	
Elevation speed	Approx. 2.8° / sec.	
	High 31°/sec. Low 20°/sec.	
Material	Aluminum alloy die casting	
Protection degree	IP56	
Weight	3,25kg	
Color	Munsell N-9,5 (White)	
Code no.	U Type 1151U	U Type 1152U
	G Type 1151G	G Type 1152G



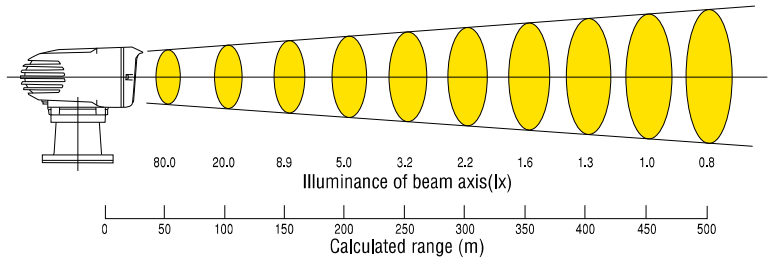
Dimension and specification are remote control type

Range of 55W x 2 Halogen search light

- Lamp ... Halogen 12V55W X 2
- Max. luminous intensity ... 200,000cd
- Beam spread ... 5° (Verticality) X7° (Horizontal)
- Atmospheric transmission factor ... 100%

Diameter of beam limits(Beam limits are 10% maximum luminous intensity) (mΦ)

4.4X6.1 8.7X12.3 13.1X18.4 17.5X24.6 21.9X30.7 26.2X36.8 30.6X43.0 35.0X49.1 39.4X55.3 43.7X61.4

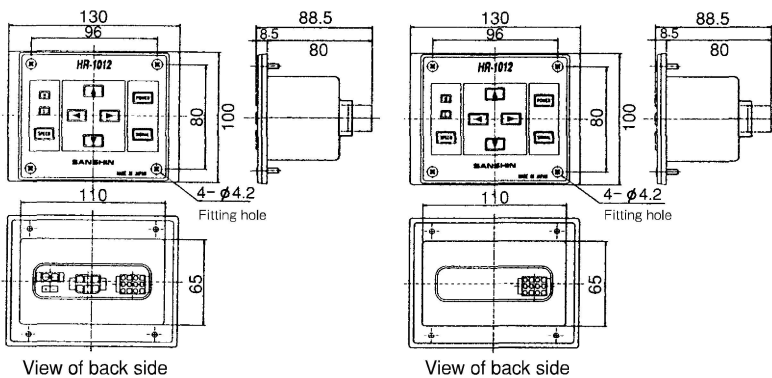
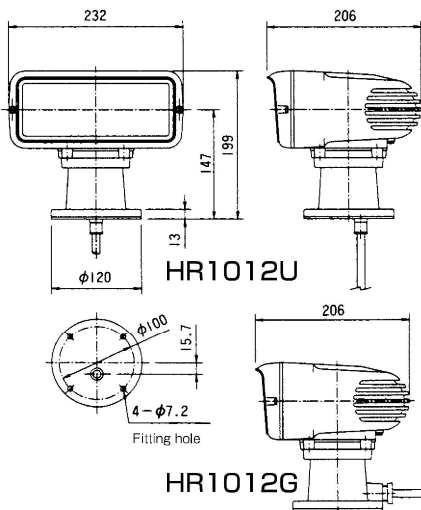
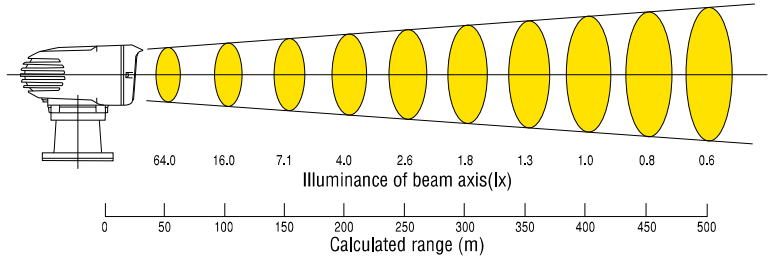


Range of 55W x 2 Halogen search light

- Lamp ... Halogen 24V55W X 2
- Max. luminous intensity ... 160,000cd
- Beam spread ... 5° (Verticality) X7° (Horizontal)
- Atmospheric transmission factor ... 100%

Diameter of beam limits(Beam limits are 10% maximum luminous intensity) (mΦ)

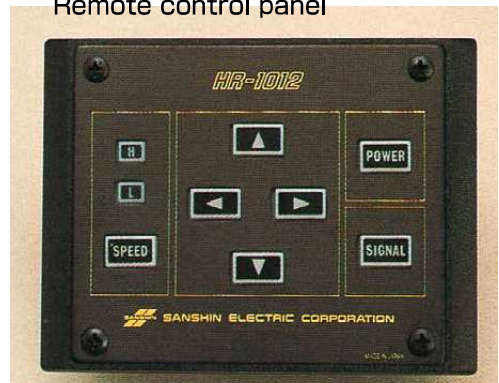
4.4X6.1 8.7X12.3 13.1X18.4 17.5X24.6 21.9X30.7 26.2X36.8 30.6X43.0 35.0X49.1 39.4X55.3 43.7X61.4



CPF-53(Main)

CPF-54(Sub)

Remote control panel



Available 2-station control by a sub remote control panel (Option)