

HALOGEN LAMP TYPE REMOTE CONTROLLED SEARCHLIGHT

Reflector dia.	φ110mm	
Rated voltage	DC12V	DC24V
Rated current	5A	3A
Lamps	Halogen lamp H2 12V 55W	Halogen lamp H2 24V 70W
Max. luminous intensity	100,000cd	80,000cd
Beam spread	Approx. 7°	
Range (1lx)	Approx. 300m	Approx. 280m
Focus adjustment	Fixed	
Elevation & Turning	Electric remote control	
Elevation angle	Up 20° Down 20°	
Turning angle	360°(endless)	
Elevation speed	Approx. 5.7°/sec.	
Turning speed	Approx. 27°/sec.	
Material	Aluminum alloy die casting	
Protection degree	IP56	
Weight	2.9kg	
Color	Munsell N-9.5 (White)	
Code no.	1154-1	1154-2

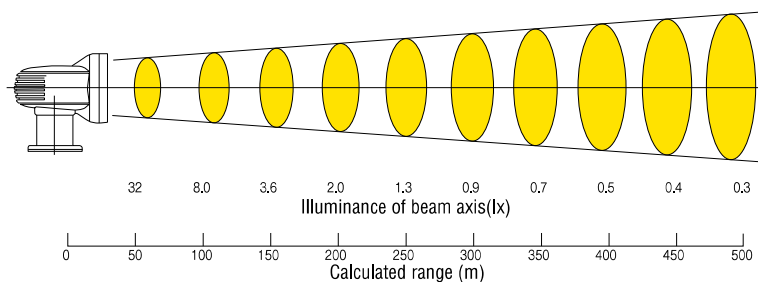
Dimension and specification are remote control type



Range of 70W Halogen search light

- Lamp Halogen 24V70W
- Max. luminous intensity...80,000cd
- Beam spread.....7°
- Atmospheric transmission factor...100%

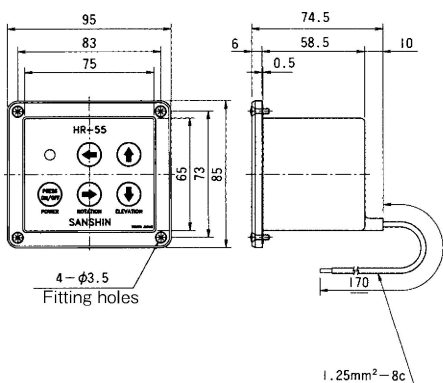
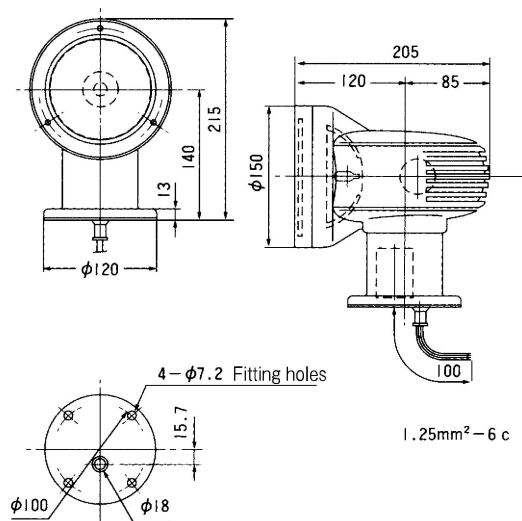
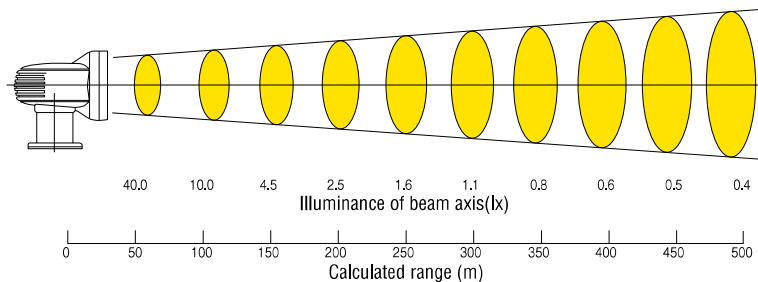
Diameter of beam limits (Beam limits are 10% maximum luminous intensity) (mΦ)



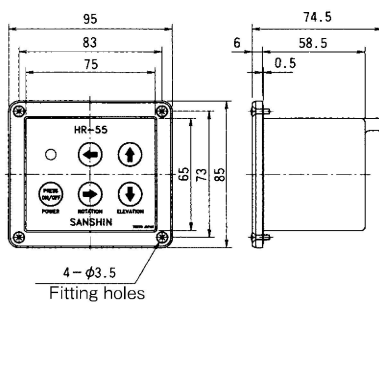
Range of 15W Halogen search light

- Lamp Halogen 12V55W
- Max. luminous intensity...100,000cd
- Beam spread.....7°
- Atmospheric transmission factor...100%

Diameter of beam limits (Beam limits are 10% maximum luminous intensity) (mΦ)



CPF-79(Main)



CPF-84(Sub)



Available 2-station control by a sub remote control panel (Option)