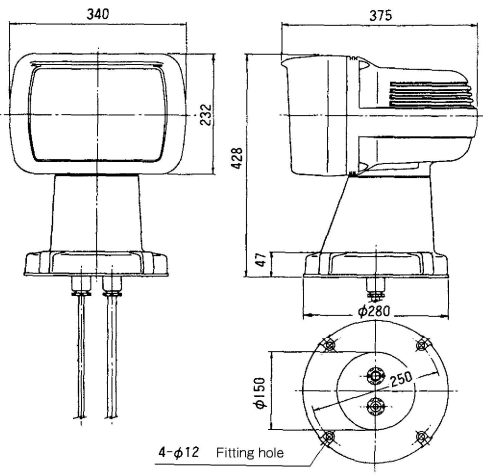


XENON LAMP TYPE REMOTE CONTROLLED SEARCHLIGHT

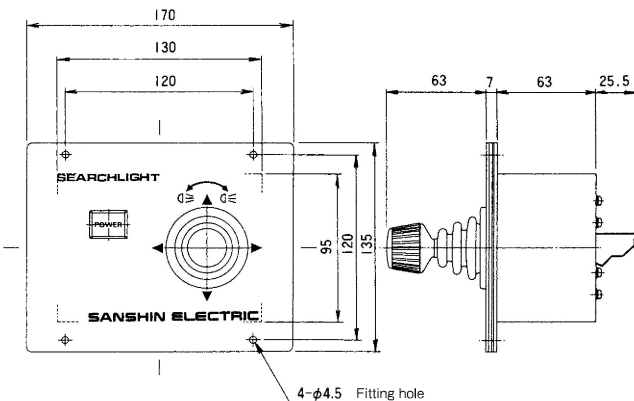
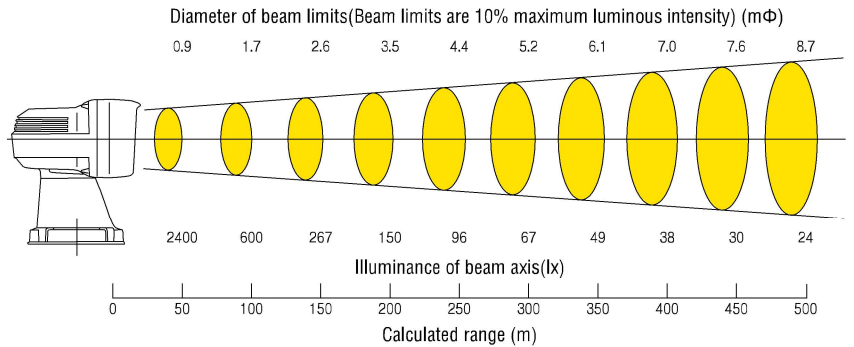
Reflector dia.	φ218mm - 150cut
Rated voltage	DC24V
Rated current	8.5A
Lamps	Xenon lamp 150W
Max. luminous intensity	6,000,000cd
Ballast	Built-in
Beam spread	Approx. 1°
Range (1lx)	Approx. 2400m
Focus adjustment	Electric remote control
Elevation & Turning	Electric remote control
Elevation angle	Up 18° Down 30°
Turning angle	360° (endless)
Elevation speed	Approx. 7.5°/sec.
Turning speed	High approx. 24°/sec. Down approx. 11°/sec.
Material	Aluminum alloy die casting
Protection degree	IP56
Weight	24kg
Color	Munsell N-9.5 (White)
Code no.	11082A

Dimension and specification are remote control type



Range of 150W xenon search light

- Lamp ... 150W xenon lamp
- Max. luminous intensity ... 6,000,000cd
- Beam spread ... 1°
- Atmospheric transmission factor ... 100%



CPF99 Main & Sub common

Remote control panel



Available 2-station control by a sub remote control panel (Option)