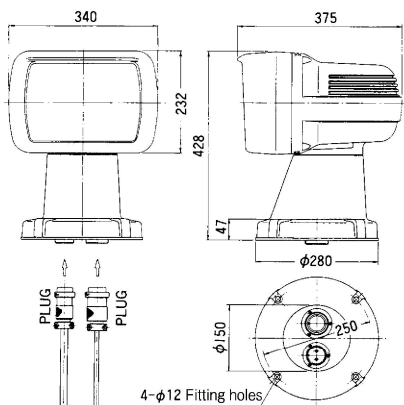


XENON LAMP TYPE REMOTE CONTROLLED SEARCHLIGHT HRX-300

Reflector dia.	φ218mm - 150cut
Lamps	Xenon lamp 300W
Max. luminous intensity	8,000,000cd
Beam spread	Approx. 15°
Range (1lx)	Approx. 2800m
Focus adjustment	Electric remote control
Elevation & Turning	Electric remote control
Elevation angle	Up 20° Down 22°
Turning angle	360°(endless)
Elevation speed	Up approx. 3.6° / sec. Down approx. 1.8° / sec.
Turning speed	High approx. 24° / sec. Low approx. 25° / sec.
Material	Aluminum alloy die casting
Protection degree	IP56
Weight	24kg
Color	Munsell N-9.5 (White)
Code no.	1100-3(100V) 1100-4(220V)

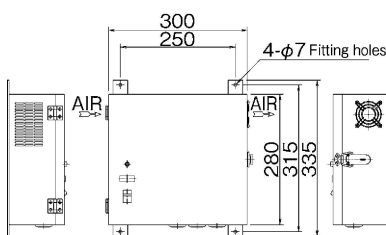
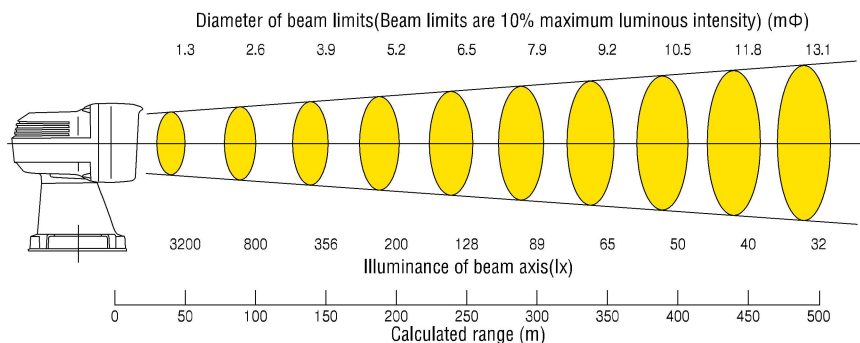


Dimension and specification are remote control type

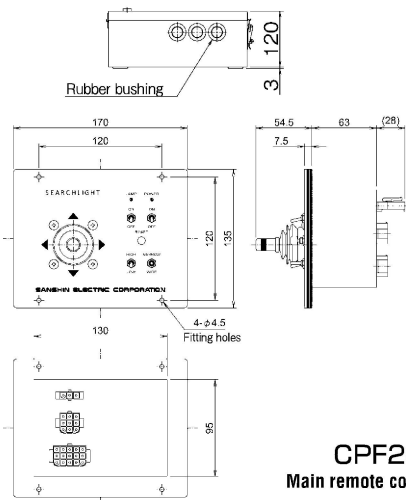


Range of 300W xenon search light

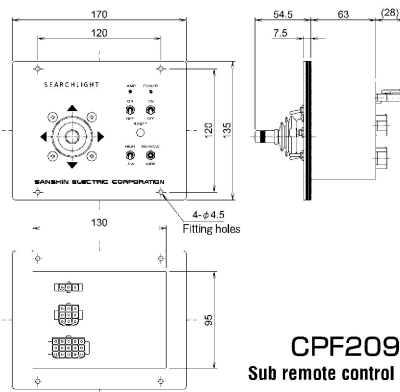
- Lamp ... 300W xenon lamp
- Max. luminous intensity ... 8,000,000cd
- Beam spread ... 1.5°
- Atmospheric transmission factor ... 100%



Model	BXE-301	BXE-302
Rated voltage	AC100V ±10%	AC220V ±10%
Phase	1	
Frequency	50/60Hz	
Input power	640VA	
Input current	6.4A	2.9A
Cooling system	Force air cooling	
Protection degree	IP11	
Weight	8.2kg	
Code no.	1110-5	1110-6



CPF205
Main remote control panel



CPF209
Sub remote control panel



remote control panel (Option)