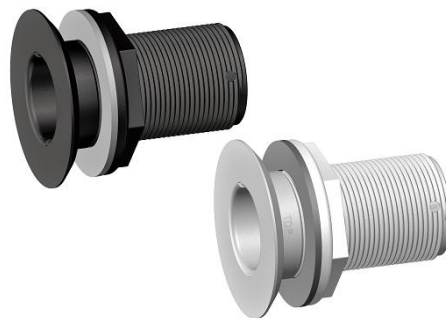


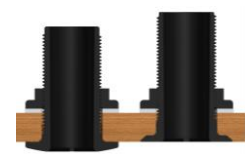
Recessed Skin Fittings (Thru Hulls)



Designed and made in New Zealand, TruDesign Certified Skin Fittings (Thru Hulls) are precision moulded from glass-reinforced Nylon composite. They eliminate all corrosion and bonding problems associated with electrolysis giving peace of mind with respect to the safety of your vessel.

Features:

- Low profile for less drag below the water line.
- Compatible with all hull types – Can be used on aluminium, steel, wood, composite & GRP hulls.
- Immune to corrosion & electrolysis – No corrosion breakages, increased safety.
- Chemical resistant – Unaffected by diesel, petrol, chemicals, and antifouling paints.
- U.V resistant – Will not degrade or discolour from the sun's ultraviolet rays.
- Paintable with all types of antifoul including Coppercoat™
- Fits TruDesign Ball Valves and other parallel BSP or NPS threads – Universal compatibility to TRUDESIGN™ brand fittings and other marine hardware.
- Large operating range – Suitable for all marine conditions from -40°C to +110°C



Compliance

ISO 9093-2021 Small craft -TRUDESIGN Skin Fittings and Ball Valves comply with ISO 9093:2021 and certified by the International Marine Certification Institute (IMCI).

For sizes ¾" through to 3"

Excludes the ½" size.

American ABYC H-27 – 500Lb static load test - TRUDESIGN Skin Fittings and Ball Valves meet the American ABYC H-27 – 500Lb static load test; Seacocks, Thru-Hull Fittings, and Drain Plugs – independently verified by IMANNA Laboratory Inc.

For sizes 1¼" through to 3" the ABYC Collar it is **not** a requirement to meet this static load test. The ABYC Load Bearing Collar is required for the size ¾" and 1" to meet this static load test. The ½" does not meet the 500Lb static load test with or without the ABYC collar.

Part Numbers BSP

Part # Black	Part # White	SKIN FITTINGS / THRU HULLS - RECESSED
90676	90709	Skin Fitting Recessed ½" BSP PKG
91125	91131	Skin Fitting Recessed ½" BSP Tagged
90677	90710	Skin Fitting Recessed ¾" BSP PKG
91126	91132	Skin Fitting Recessed ¾" BSP Tagged
90678	90711	Skin Fitting Recessed 1" BSP PKG
91127	91133	Skin Fitting Recessed 1" BSP Tagged
90679	90712	Skin Fitting Recessed 1¼" BSP PKG
91128	91134	Skin Fitting Recessed 1¼" BSP Tagged
90680	90713	Skin Fitting Recessed 1½" BSP PKG
91129	91135	Skin Fitting Recessed 1½" BSP Tagged

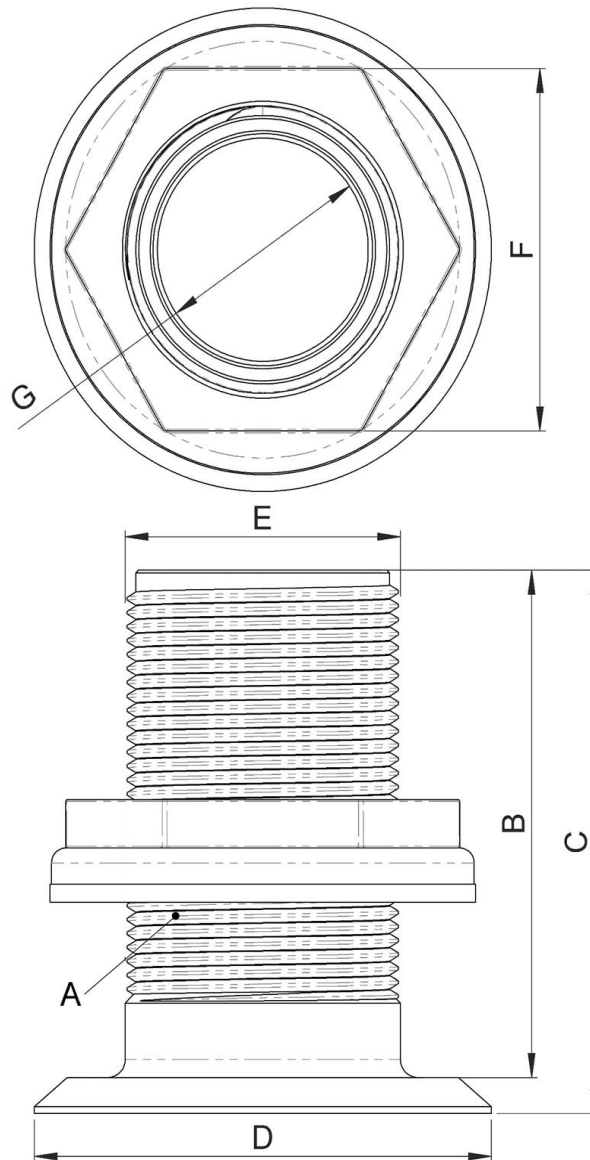
Part Numbers NPS

Part # Black	Part # White	SKIN FITTINGS / THRU HULLS - RECESSED
91237	91242	Thru-hull Recessed ½" NPS
91238	91243	Thru-hull Recessed ¾" NPS
91239	91244	Thru-hull Recessed 1" NPS
91240	91245	Thru-hull Recessed 1¼" NPS
91241	91246	Thru-hull Recessed 1½" NPS

Dimensions

A	B		C		D		E		F		G	
Thread Size	Thread Length		Overall Length		Head Diameter		Cutout Diameter		Hex Size AF		Minimum Internal \varnothing	
1/2"	67mm	2 2/3"	70mm	2 3/4"	32mm	1 1/4"	22mm	6/7"	28mm	1 1/9"	12mm	1/2"
3/4"	66mm	2 4/7"	70mm	2 3/4"	42mm	1 2/3"	27mm	1"	34mm	1 1/3"	17mm	2/3"
1"	66mm	2 4/7"	70mm	2 3/4"	52mm	2"	34mm	1 1/3"	42mm	1 2/3"	23mm	1"
1 1/4"	85mm	3 1/3"	90mm	3 1/2"	64mm	2 1/2"	42mm	1 2/3"	52mm	2"	30mm	1 1/5"
1 1/2"	84mm	3 1/3"	90mm	3 1/2"	80mm	3 1/7"	48mm	1 8/9"	60mm	2 1/3"	36mm	1 2/5"

Dimensions All dimensions in millimetres. All dimensions nominal.



Maximum Hull Thickness:

Size	Maximum Hull Thickness allowing 70% thread engagement into Ball Valve
1/2" BSP	36mm
3/4" BSP	36mm
1" BSP	36mm
1 1/4" BSP	49mm
1 1/2" BSP	49mm

Note; it is recommended for very thin hulls that a backing plate be added to make the “effective hull thickness” a minimum of 20mm.

TruDesign Skin Fitting Installation Tool

For easy one person installation.



Installation: Location & Sealing

For Installation Instructions go to our Technical Information Sheet on the TruDesign Website – Scan QR Code



THREAD SEALING: Ball Valve to Skin Fitting and Tails (Thru Hull)

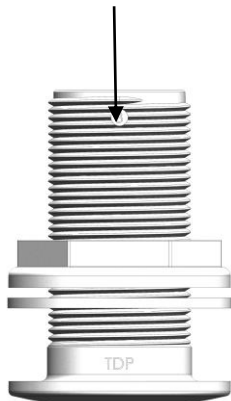
For Thread Sealing Instruction go to our Technical Information Sheet on the TruDesign Website – Scan QR Code



Identification

TruDesign Skin Fittings (Thru Hulls) are printed and marked with the following information.

Engraved 'B' for BSP thread,
or 'N' for NPS thread



TruDesign brand is printed on the nut.
This enables clear identification that
genuine fittings are installed.



The information contained in this information sheet is for general information purposes only. The information is provided by TruDesign™ and while we endeavour to keep the information up to date and correct, we make no representations or warranties of any kind, express or implied, about the completeness, accuracy, reliability, suitability, or availability. Any reliance you place on such information is therefore strictly at your own risk. It is recommended for Thru Hulls and Ball Valve installations that you consult a qualified Shipwright.